

# SupIR 45-900mm f/4.0\*, Motorized Continuous Zoom 680425 / 680426



**HD  
FORMAT**

**WFOV(45mm)**  
for configurations 680425-009/8  
& 680426-007/8

<b>HFOV</b>	<b>640x512</b>
<b>15μ</b>	11.4°
<b>10μ</b>	-

**WFOV(72mm)**  
for configurations 680425-007/6  
& 680426-005/6

<b>HFOV</b>	<b>640x512</b>	<b>1280X1024</b>
<b>15μ</b>	7.3°	
<b>10μ</b>	-	9.3°

**NFOV(900mm)**  
all configurations

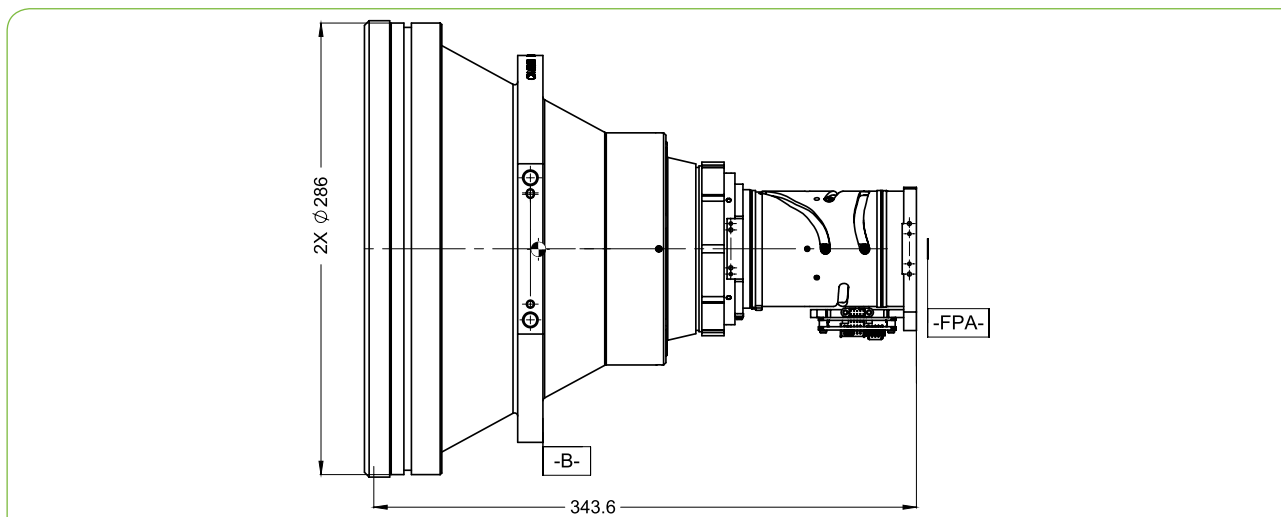
<b>HFOV</b>	<b>640x512</b>	<b>1280X1024</b>
<b>15μ</b>	0.6°	
<b>10μ</b>	-	0.8°

MWIR | ZOOM

Property	Value	
<b>Optical</b>	<b>WFOV</b>	<b>NFOV</b>
Focal Length	45mm/72mm**	900mm
F/#	4.0	
Average transmission (3.4-5μm)	89% (HD) / 87% (LRHC)	
680425	Based on Zoom Lens:	15-300mm f/4 680084
	Cold stop to FPA Distance	19.4mm
	Cold Stop CA	Ø4.85mm
	BFL	23.3mm in air
680426	Based on Zoom Lens:	15-300mm f/4 680204
	Cold stop to FPA Distance	20.5mm
	Cold Stop CA	Ø5.1mm
	BFL	26.2mm in air
Minimum Focus Range	5m	200m
Nuc (by defocus)	Yes	
<b>Mechanical</b>		
Focus Mechanism	Motorized	
Focus Time (minimum range to ∞)	≤1 sec.	
Zoom Mechanism	Motorized	
Zoom Time (NFOV to WFOV)	≤7 sec. at -32°C; ≤5 sec. at T ≥ 0°C	
Through-zoom boresight	Within a radius of 0.22 mm at the focal plane along the full zoom range	
Weight	7kg	
Max. Dimensions	Ø286 x 343.6mm	

\* For 10μm SXGA detectors, the EFL is 72-900mm. See product configuration 680425-007/6 & 680426-005/6.

\*\* For configurations 680425-007/6 & 680426-005/6



MWIR | ZOOM

Property		Value				
<b>Electrical</b>						
Lens Control		Designated lens controller				
Supply Voltage		12V				
Current Consumption		0.5A average, 1.0A peak				
Communication Protocol		RS422				
<b>Environmental</b>						
Operation Temperature		-32°C to +75°C				
Storage Temperature		-54°C to +85°C				
Sealing		IP 67 front element only				
Configurations	Description	FPA	Pixel Pitch	CSH	Coating	
680425-008	45-900mm	640x512	15μ	19.4mm	Low Reflection Hard Carbon**	
680425-009					High Durability	
680425-006					Low Reflection Hard Carbon**	
680425-007	72-900mm	1280x1024	10μ		High Durability	
680425-010					Hard Carbon Hydrophobic	
680425-011					High Durability Hydrophobic	
680426-005	72-900mm	1280x1024	10μ	20.5mm	Low Reflection Hard Carbon**	
680426-006					High Durability	
680426-007	45-900mm	640x512	15μ		Low Reflection Hard Carbon**	
680426-008					High Durability	
680426-009					72-900mm	1280x1024
680426-010	Hard Carbon Hydrophobic					

\* NOTE: The ICD drawing provided here is primarily a representation and may not accurately reflect the product's actual dimensions and specifications. For precise integration specifications contact your local sales representative.

\*\* For detailed LRHC coating specifications see page 13